

GSIP-160.08-20 / GSIP-160.16-20
1,7 Kw batteries / 3,5 Kw
(batteries and net)

GSIP-160.08-20 / GSIP-160.16-20
1,7 Kw batteries / 3,5 Kw
(batteries and net)

GSIP-280.24-40
15 Kw (net)

- Lancor GSIP generators are permanent magnet synchronous generators.
- Compact and strong.
- Easy to install and maintenance free.
- Need small space.

advantages

- Cogging: <1%
- Efficiency: 93% - 95%
- Start at less than 2 m/s of the wind
- Nominal power at 11 m/s of the wind

- **Direct drive**
- Different constructions
- Possibility of electromagnetic brake
- Minimum weight

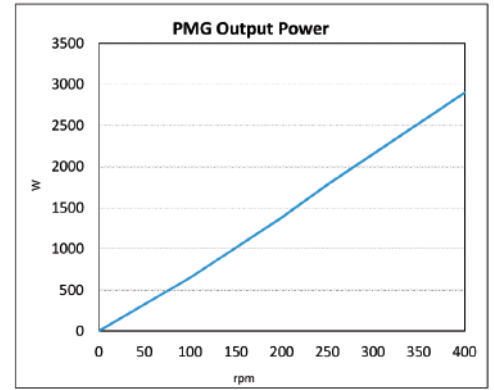
C5H type painting for exterior. Anti rust protection.
Best quality bearings
Certified materials
Aluminium housing
Special winding with Low Short-circuit risk

Warranty: 5 years
Mechanical fixing of magnets
Maintenance free
Individual test delivered with every machine
MKS certification

GSIP160 1700W off-grid (batteries)

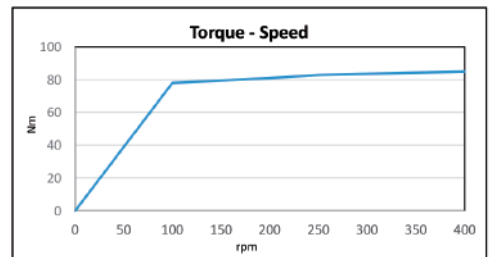
ELECTRICAL SPECIFICATIONS

Power output	1700 W
Nominal speed (Hz)	250 rpm (41.6 Hz)
Required torque at nominal power	< 83 Nm
Fase resistance	0.22 Ohm
Efficiency	0.82
Output wire section	16 mm ²
Wire length	400 mm
Isolation class	F
Connection	external star (Δ optional connection)
Lifetime	> 20 years



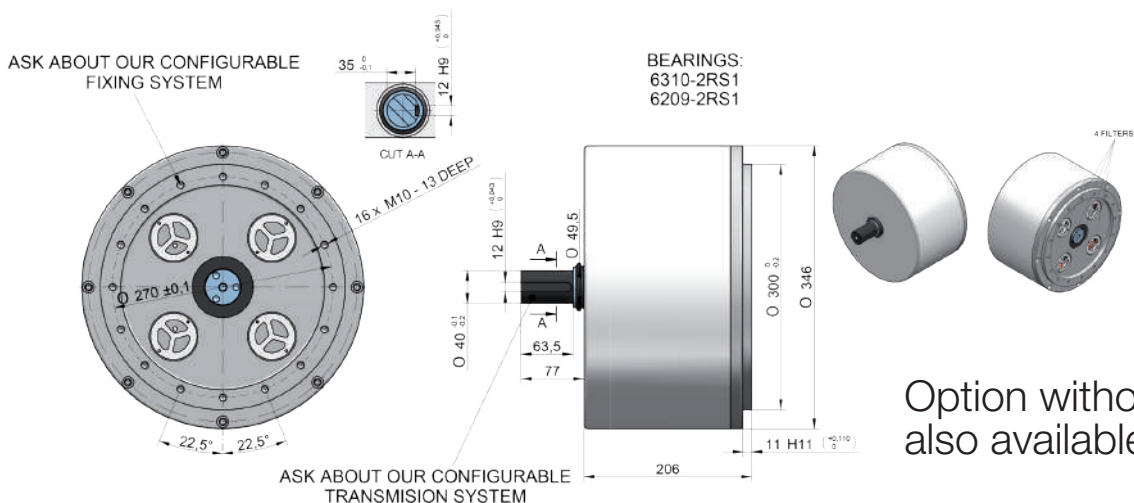
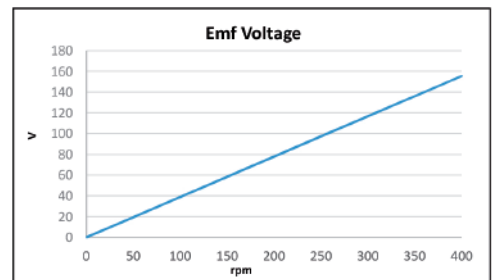
MECHANICAL SPECIFICATION

Mounting Type	horizontal & vertical
Weight	< 45 kg
Starting Torque	< 2%



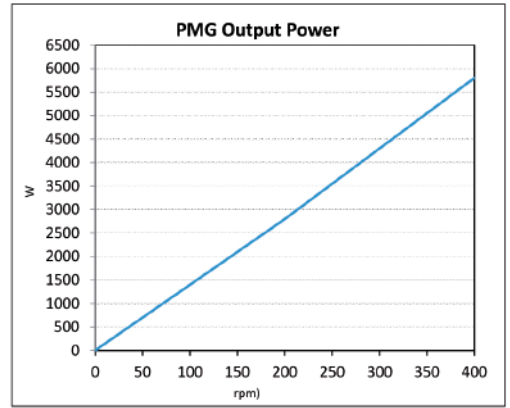
MATERIAL SPECIFICATION

Shalf material	F-1252 with treatment
Bearing type	SKF 6209-2rsr / 6310-2rsr
Housing material	aluminium fundition L-2560
Housing corrosion protection	RAL9003 C5H
Magnet material	NdFeB
Magnet class	SH
Lamination type	non oriented high quality steel



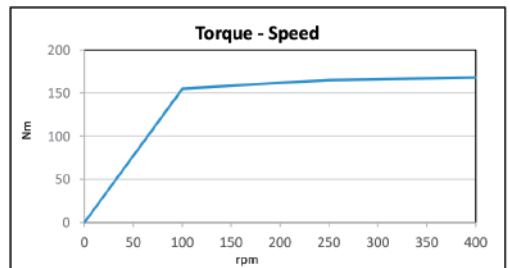
ELECTRICAL SPECIFICATIONS

Power output	3500 W
Nominal speed (Hz)	250 rpm (41.6 Hz)
Required torque at nominal power	< 165 Nm
Fase resistance	0.1 Ohm
Efficiency	0.82
Output wire section	10 mm ²
Wire length	400mm
Isolation class	F
Connection	external star (Δ optional connection)
Lifetime	> 20 years



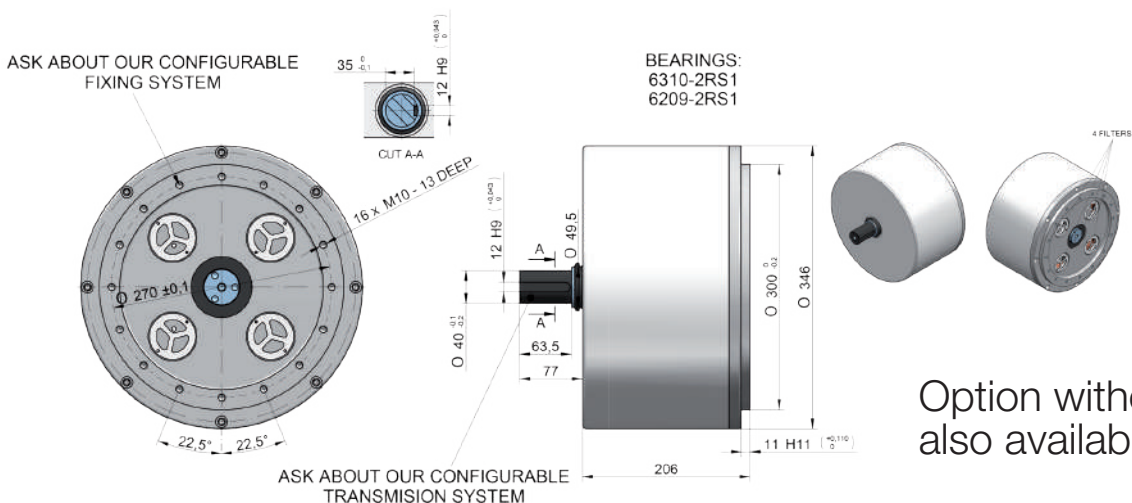
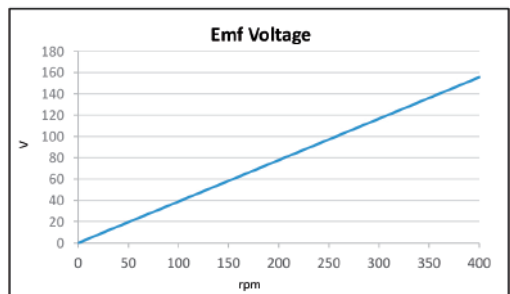
MECHANICAL SPECIFICATION

Mounting Type	horizontal & vertical
Weight	< 60 kg
Starting Torque	< 1%



MATERIAL SPECIFICATION

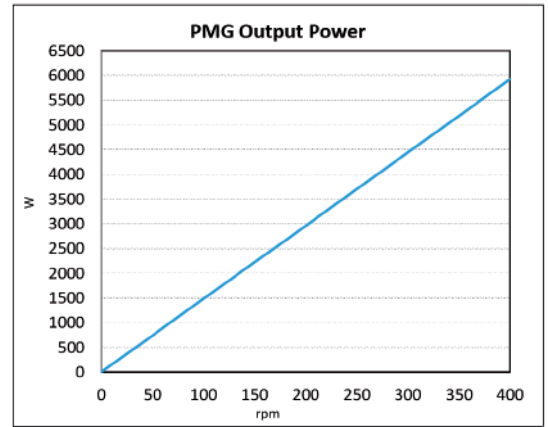
Shalf material	F-1252 with treatment
Bearing type	SKF 6209-2rsr / 6310-2rsr
Housing material	aluminium fundition L-2560
Housing corrosion protection	RAL9003 C5H
Magnet material	NdFeB
Magnet class	SH
Lamination type	non oriented high quality steel



GSIP160 3500W network connection (on grid)

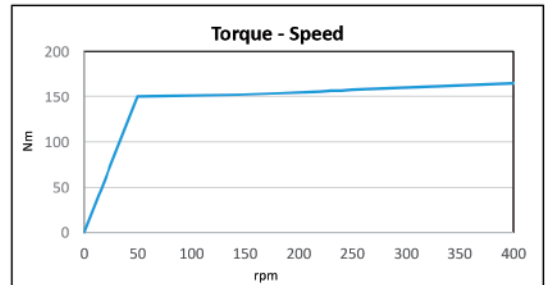
ELECTRICAL SPECIFICATIONS

Power output	3500 W
Nominal speed (Hz)	250 rpm (41.6 Hz)
Required torque at nominal power	< 160 Nm
Fase resistance	1,7 Ohm
Efficiency	0.9
Output wire section	4 mm ²
Wire length	400 mm
Isolation class	F
Connection	internal star
Lifetime	> 20 years



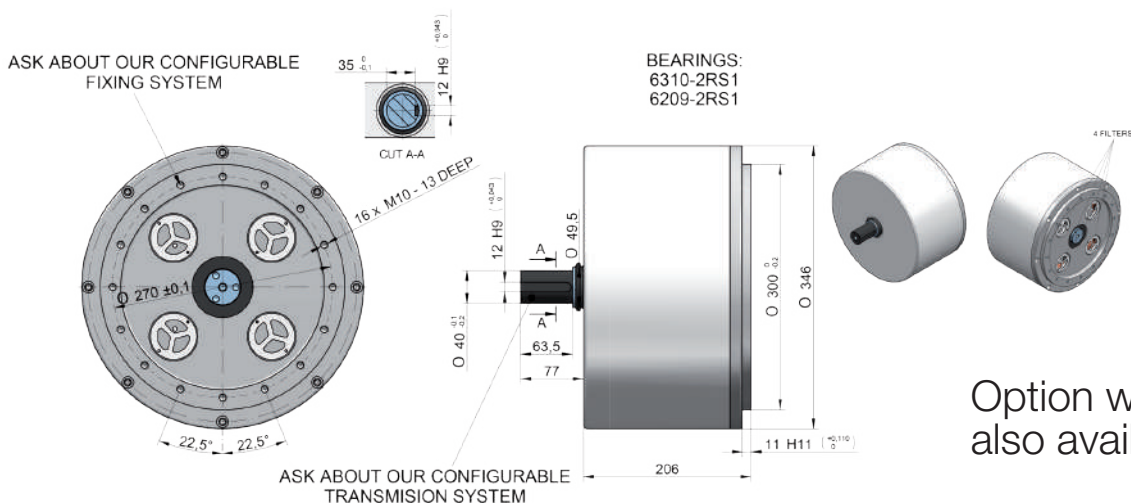
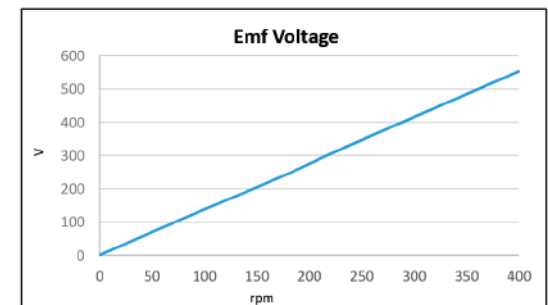
MECHANICAL SPECIFICATION

Mounting Type	horizontal & vertical
Weight	< 60 kg
Starting Torque	< 2Nm



MATERIAL SPECIFICATION

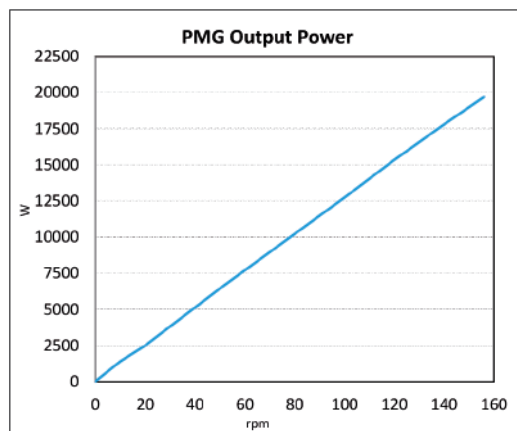
Shaft material	F-1252 with treatment
Bearing type	SKF 6209-2rsr / 6310-2rsr
Housing material	aluminium fundition L-2560
Housing corrosion protection	RAL9003 C5H
Magnet material	NdFeB
Magnet class	SH
Lamination type	non oriented high quality steel



GSIP280 15000W network connection (on grid)

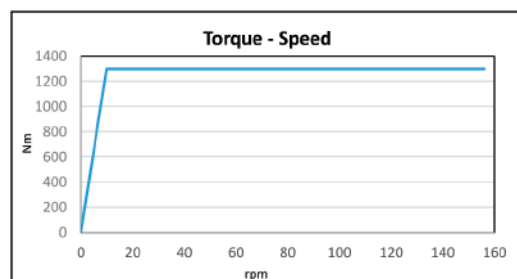
ELECTRICAL SPECIFICATIONS

Power output	15000 W
Nominal speed (Hz)	120 rpm (40 Hz)
Required torque at nominal power	< 1300Nm
Phase resistance	0.6 Ohm
Efficiency	0,92
Output wire section	10 mm ²
Wire length	3000 mm
Isolation class	F
Connection	internal Star
Lifetime	> 20 years



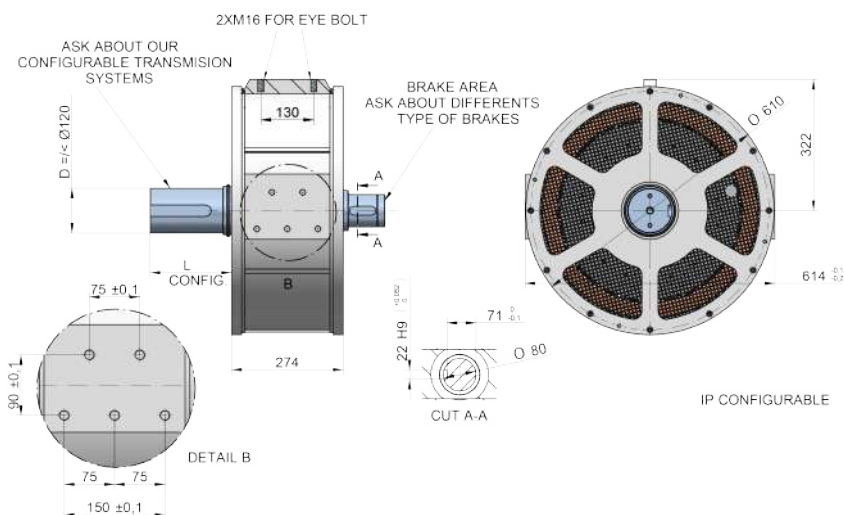
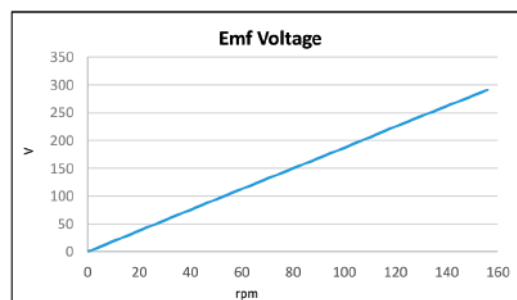
MECHANICAL SPECIFICATION

Mounting Type	horizontal & vertical
Weight	< 350 kg
Starting Torque	< 6Nm



MATERIAL SPECIFICATION

Shaft material	F-1252 with treatment
Bearing type	SKF 6024-2z / 6220-2z
Housing material	steel F1140
Housing corrosion protection	RAL9003 C5H
Magnet material	NdFeB
Magnet class	SH
Lamination type	non oriented high quality steel



Optionals:

- Temperature sensor
- Electromagnetic braking system

Option without shaft also available



INNOVATIVE SME

Valid until Dec 31st 2018

