



GSIP-350.08-20 13-50 Kw



GSIP-650.08-20 50-110 Kw

- Lancor GSIP generators are permanent magnet synchronous generators.

- Easy to install and maintenance free.
- Valid for Horizontal and vertical shaft turbines

advantages

- Cogging: <1%
- Efficiency >90%
- Start at less than 2 m/s of the wind
- Nominal power at 11 m/s of the wind

- **Direct drive**
- Different Constructions. Configurable, customizable
- Compact and strong
- Minimum weight

C5H type painting for exterior. Anti rust protection.
Best quality bearings
Certified materials
Aluminium housing
Special winding with Low Short-circuit risk

Warranty: 5 years
Mechanical fixing of magnets
Maintenance free
Individual test delivered with every machine
MKS certification

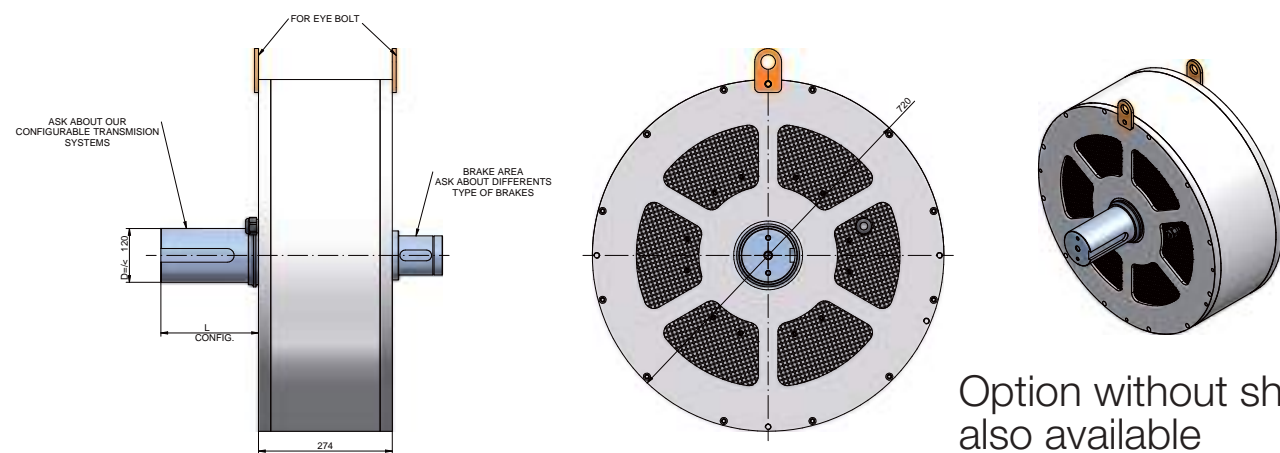


GSIP350 network connection (on grid)

ELECTRICAL SPECIFICATIONS	
Power output	13 - 50 kW
Nominal speed (Hz)	49 - 90 RPM
Required torque at nominal power	< 6500 Nm
Efficiency	> 90%
Output wire section	12 mm ²
Wire length	700 mm
Isolation class	F
Connection	internal Star
Lifetime	> 20 years

MECHANICAL SPECIFICATION	
Mounting Type	horizontal & vertical
Starting Torque	< 1%
Mechanical configuration	Customizable

MATERIAL SPECIFICATION	
Shaft material	F-1252 with treatment
Shield material	Aluminium
Shield corrosion protection	RAL9003 C5H
Magnet material	NdFeB
Magnet class	SH
Lamination type40	non oriented high quality steel



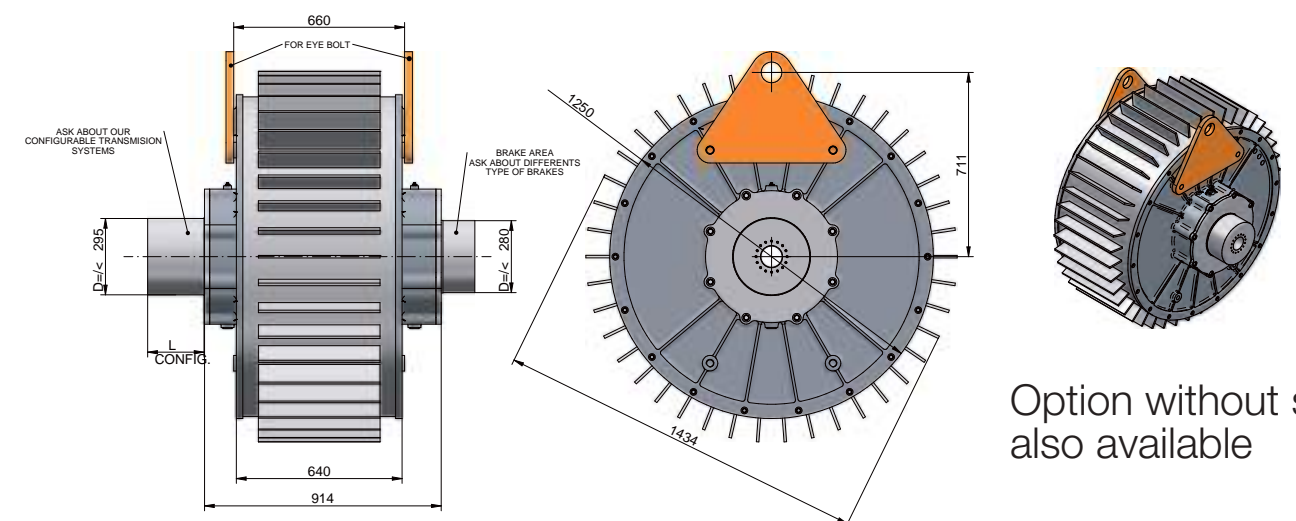
Option without shaft
also available

GSIP650 network connection (on grid)

ELECTRICAL SPECIFICATIONS	
Power output	50 - 110 kW
Nominal speed (Hz)	29 - 60 RPM
Required torque at nominal power	< 30000 Nm
Efficiency	> 90%
Output wire section	12 mm ²
Wire length	700 mm
Isolation class	F
Connection	internal Star
Lifetime	> 20 years

MECHANICAL SPECIFICATION	
Mounting Type	horizontal & vertical
Starting Torque	< 1%
Mechanical configuration	Customizable

MATERIAL SPECIFICATION	
Shaft material	F-1252 with treatment
Shield material	Aluminium
Shield corrosion protection	RAL9003 C5H
Magnet material	NdFeB
Magnet class	SH
Lamination type40	non oriented high quality steel



Option without shaft
also available